

NITECORE®

The All-Round Flashlight Expert

MT20C User Manual

Features

- Utilizes a CREE XP-G2 R5 LED
- Max output of 460 lumens
- Integrated "Precision Digital Optics Technology" provides extreme reflector performance
- Boasts a peak beam intensity of 8,300 cd and a throw distance up to 180 meters
- Tail switch designed for tactical applications
- Side switches for selecting brightness levels or modes
- Features intelligent memory effect (except for SOS and location beacon modes)
- Red LED provides constant/flashing illumination
- Displays battery voltage with red light (accurate to 0.1V)
- High efficiency constant current circuit enables maximum runtime up to 480 hours
- Direct access to turbo/red light modes
- Reverse polarity protection prevents damage from incorrectly inserted batteries
- Stainless steel titanium-plated two-way clip
- Toughened ultra-clear mineral glass with anti-reflective coating
- Robust HAIII military grade hard-anodized
- Waterproof in accordance with IPX8 (two-meter submersible)
- Tail stand capability

Dimensions

Length: 4.91" (124.7mm)
 Head Diameter: 1" (25.4mm)
 Tail Diameter: 1" (25.4mm)
 Weight: 2.55oz (72.3g)(without battery)

Accessories

Quality holster, clip, lanyard, spare tail cap cover, spare O-ring

Battery Options

	Type	Nominal voltage	Compatible
Primary Lithium battery	CR123	3V	Y (Recommended)
18650 Rechargeable Li-ion battery	18650	3.7V	Y (Recommended)
Rechargeable Li-ion battery	RCR123	3.7V	Y

Brightness & Runtime

FL1 STANDARD	TURBO	HIGH	MID	LOW	LOWER	RED LIGHT	RED BEACON	STROBE	LOCATION	SOS
	460 LUMENS	210 LUMENS	100 LUMENS	20 LUMENS	1 LUMENS	0.8 LUMENS	0.8 LUMENS	460 LUMENS	460 LUMENS	460 LUMENS
	1h45min	4h45min	12h	60h	480h	100h	105h	—	—	—
	180m	125m	85m	36m	8m	2m	—	—	—	—
	8300cd	3920cd	1800cd	330cd	17cd	1.3cd	—	—	—	—
	1m (Impact Resistant)									
	IPX8, 2m (Waterproof AND Submersible)									

NOTICE:

The stated data has been measured in accordance with the international flashlight testing standards ANSI/NEMA FL1, using 1 x 18650 battery (3.7V 2600mAh) under laboratory conditions. The data may vary during real-world use due to different battery usage or environmental conditions.

Operating Instructions

Battery Installation

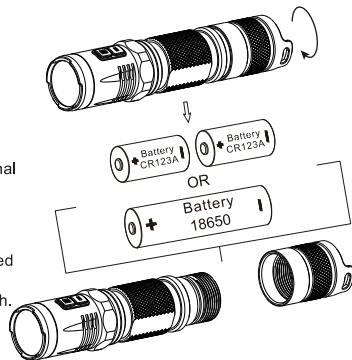
Insert 1x18650 battery or 2xCR123 batteries as illustrated.

WARNING:

Ensure batteries are inserted with the positive (+) end pointing towards the head. The MT20C will not be operational with incorrectly inserted batteries.

Momentary Illumination

Momentary illumination can be achieved by switching the flashlight off and then half pressing and holding the tail switch. Release switch to turn the light off.



On / Off Operation

To switch ON: Press the button on the tailcap all the way down until a click is heard.

To switch OFF: Press the button on the tailcap all the way down once again until a click is heard.

Standby Mode:

When power is off, press both side switches and the button on the tailcap simultaneously to activate the red power indicator to flash and indicate battery voltage. Three seconds after electrical voltage is reported, the MT20C enters standby mode where the indicator flashes once every three seconds. In standby mode, the MT20C will operate for approximately six months with the indicator on.

Brightness Levels

When the MT20C is switched on, press the step-up switch repeatedly to switch among the following brightness levels: red beacon-red light-ultralow-low-medium-high-turbo. The MT20C has memory effect. When it is switched on, the MT20C will enter the brightness level last used.

When the MT20C is switched on, press the step-down switch repeatedly to level down its brightness until red beacon mode, after which there is no cycling back to other brightness levels.

Direct Access to Red Light Mode:

When the MT20C is switched on, press and hold the step-down switch for over one second to access red light mode; OR:

When the MT20C is switched off, press and hold the step-down switch while the tailcap button is being held simultaneously to access the red light mode.

Direct Access to Turbo:

When the MT20C is switched on, press and hold the step-up switch for over one second to access turbo output (460 lumens); OR:

When the MT20C is switched off, press and hold the step-up switch and press the button on the tailcap to access turbo output (460 lumens).

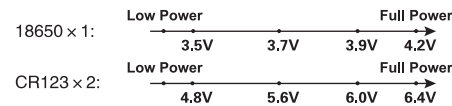
Note: After three minutes' using of turbo mode, the flashlight will lower its output automatically to prevent overheating, and ensure the battery runtime.

Special Modes (Strobe/Location Beacon/SOS)

With the light switched on, press both side switches to enter strobe mode. When in strobe mode, press both side switches again to cycle through Location Beacon, SOS, and Strobe modes. To exit and resume the brightness level last used, simply press the step-up or step-down switch. The MT20C has memory effect in strobe mode. If it is turned off in strobe mode, it will enter strobe mode immediately when switched on again.

Power Tips

With the light switched off, press both side switches and the button on the tailcap to activate the red power indicator to blink and indicate battery voltage (accurate to 0.1V). For example, when battery voltage is at 4.2V, the red power indicator will blink 4 times, followed by a one second pause and another 2 blinks. Different voltages represent the corresponding remaining battery power levels.



Changing / Charging Battery

Batteries should be replaced or recharged when output appears to be dim or the flashlight becomes unresponsive.

Maintenance

Every 6 months, threads should be wiped with a clean cloth followed by a thin coating of silicon-based lubricant.

Warranty Service

All NITECORE® products are warranted for quality. Any defective / malfunctioning NITECORE® product can be repaired free of charge for a period of 60 months (5 years) from the date of purchase. Beyond 60 months (5 years), a limited warranty applies, covering the cost of labor and maintenance, but not the cost of accessories or replacement parts.

The warranty is nullified in all of the following situations:

1. The product(s) is/are broken down, reconstructed and/or modified by unauthorized parties.
2. The product(s) is/are damaged through improper use.
3. The product(s) is/are damaged by leakage of batteries.

For the latest information on NITECORE® products and services, please contact a local NITECORE® distributor or send an email to service@nitecore.com

※All images, text and statements specified herein this user manual are for reference purpose only. Should any discrepancy occurs between this manual and information specified on www.nitecore.com, information on our official website shall prevail. Sysmax Industry Co., Ltd. reserves the rights to interpret and amend the content of this document at any time without prior notice.

Please find us on facebook: NITECORE Flashlight



SYSMAX Industry Co., Ltd.

TEL: +86-20-83862000

FAX: +86-20-83882723

E-mail: info@nitecore.com

Web: www.nitecore.com

Address: Rm 2601-06, Central Tower, No.5 Xiancun Road, Tianhe District, Guangzhou, 510623, Guangdong, China



Made in China

Thanks for purchasing NITECORE!